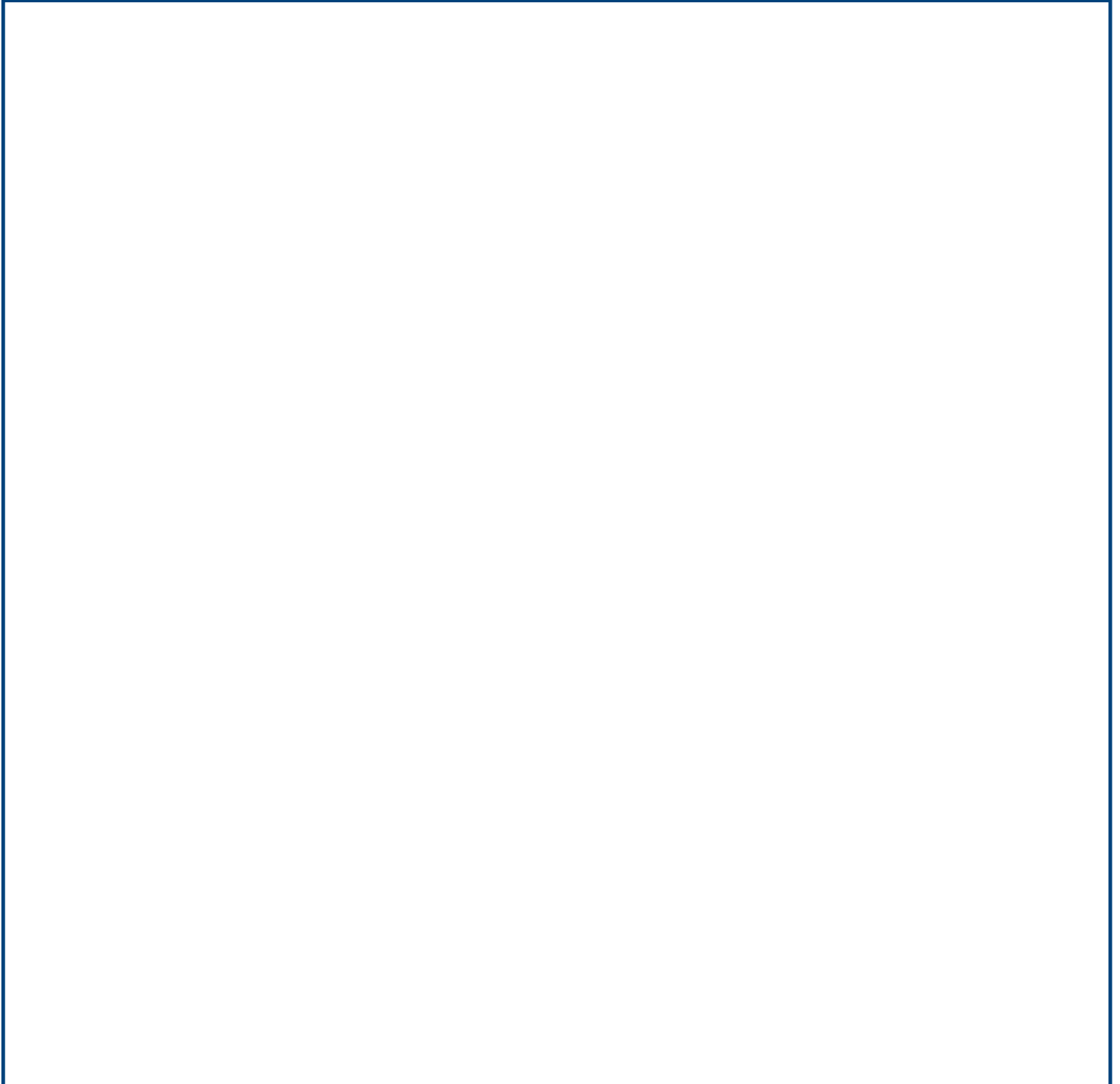


T UVUÜÖÖWSVUÜKNMRV-063-90B14

WIDOK 3D



PRODUCT DESCRIPTION:

Worm geared motor fitted for motor coupling
version PAM with sleeve

PRODUCT TYPE: NMRV

CONFIGURATION & DIMENSIONAL VALUES

GR Size	063
PAM Input PAM flange	90 B14
ACU Output hole shaft (d)	25
VB Double input shaft	NO
TFU Output flange gear unit 2	NO
DFU Output flange dimension (d)	-
PFU Output flange position	-
AL Output hole shaft (d)	NO
PAL Output shaft position	-
BR Torque arm	NO
PBR Torque arm position	-
CAP Cover	NO
TIP Motor type	T-Three phase
GRA Motor size	090L
RAF Cooling	IC411-Self-Ventilated
FC Motor execution	B14
TF Break type	-
AF Brake power supply	-
COP Terminal box cover	Aluminium
CVE Fan cover	Standard
MOR Terminal box cover position	1
A	100
AC	173
B	40
B1	6
BB	8
BM	8
BM1	8
D	25(28)
D1	19

PRODUCT DESCRIPTION:

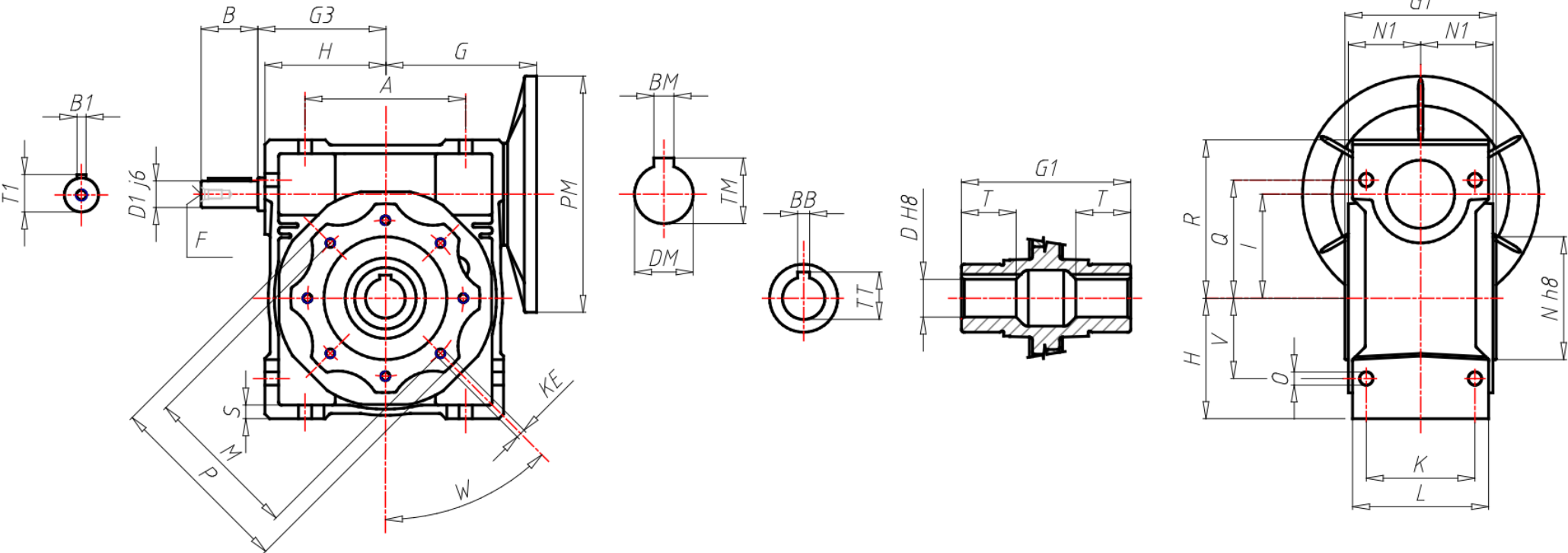
Worm geared motor fitted for motor coupling
version PAM with sleeve

PRODUCT TYPE: NMRV

CONFIGURATION & DIMENSIONAL VALUES

DM	24
DM1	24
E	50
F	M6
FF	M8x19
G	95
G1	112
H	72
I	63
K	85
KE	M8x14(8)
L	103
LB	273
LL	323
M	95
N	80
N1	53
O	8.5
P	110
PM	140
PM1	140
Q	80
R	102
S	8
T	36
T1	21.5
TM	27.3
TM1	27
TT	28.3(31.3)
V	50
W	45°

2D VIEW PRA



PRODUCT DESCRIPTION:

Worm geared motor fitted for motor coupling version PAM with sleeve

PRODUCT TYPE: NMRV

2D VIEW ACCESSORIES

