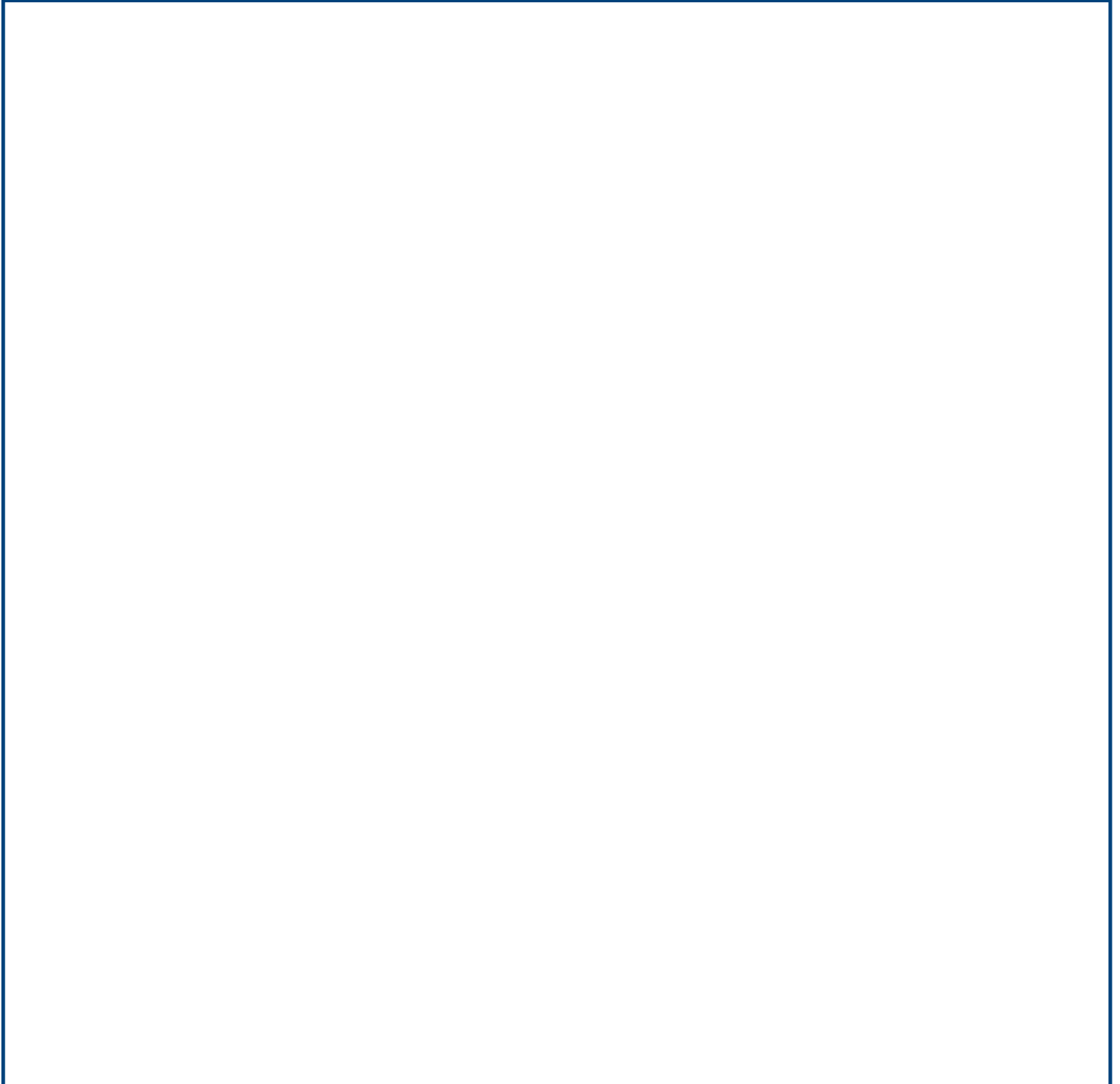


T UVUÜÖÖWSVUÜKNMRV-040-63B14

## WIDOK 3D



## PRODUCT DESCRIPTION:

Worm geared motor fitted for motor coupling version PAM with sleeve

## PRODUCT TYPE: NMRV

## CONFIGURATION & DIMENSIONAL VALUES

GR Size	040
PAM Input PAM flange	63 B14
ACU Output hole shaft (d)	18
VB Double input shaft	NO
TFU Output flange gear unit 2	NO
DFU Output flange dimension (d)	-
PFU Output flange position	-
AL Output hole shaft (d)	NO
PAL Output shaft position	-
BR Torque arm	NO
PBR Torque arm position	-
CAP Cover	NO
TIP Motor type	T-Three phase
GRA Motor size	063
RAF Cooling	IC411-Self-Ventilated
FC Motor execution	B14
TF Break type	-
AF Brake power supply	-
COP Terminal box cover	Aluminium
CVE Fan cover	Standard
MOR Terminal box cover position	1
A	70
AC	121
B	23
B1	4
BB	6
BM	4
BM1	4
D	18(19)
D1	11

## PRODUCT DESCRIPTION:

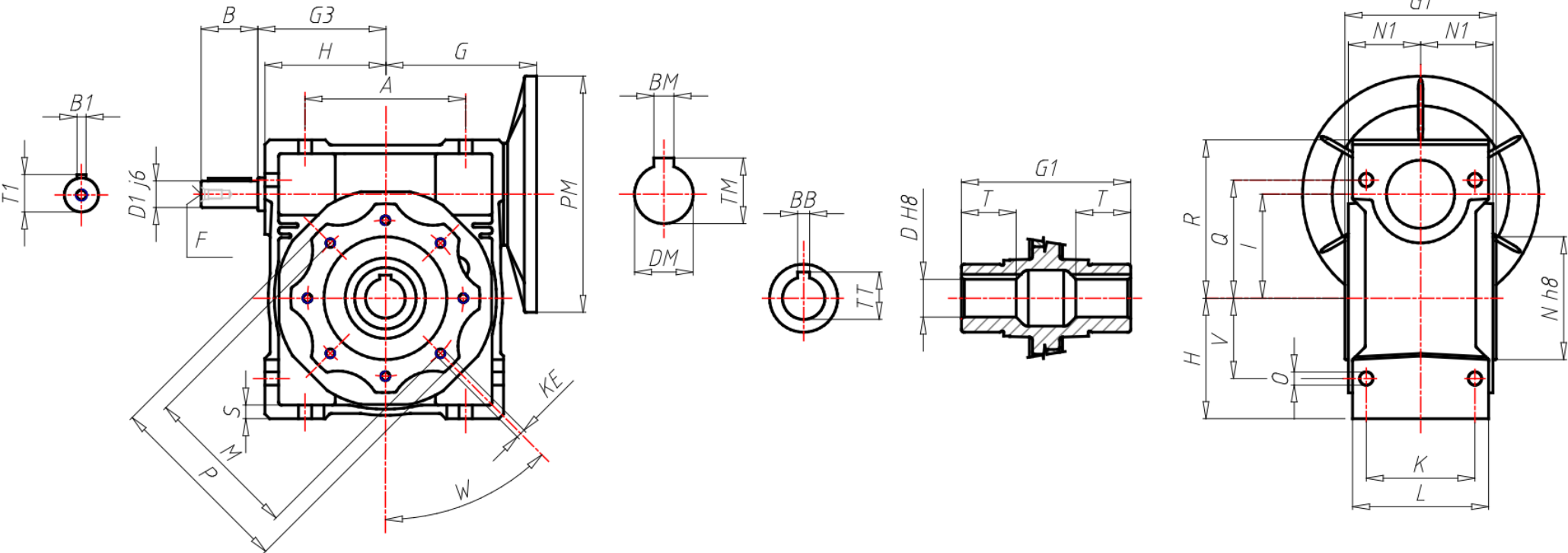
Worm geared motor fitted for motor coupling  
version PAM with sleeve

**PRODUCT TYPE:** NMRV

## CONFIGURATION & DIMENSIONAL VALUES

DM	11
DM1	11
E	23
F	-
FF	M4x10
G	70
G1	78
H	50
I	40
K	60
KE	M6x10(4)
L	71
LB	188
LL	211
M	75
N	60
N1	36.5
O	6.5
P	87
PM	90
PM1	90
Q	55
R	71.5
S	6.5
T	26
T1	12.5
TM	12.8
TM1	12.5
TT	20.8(21.8)
V	35
W	45°

# 2D VIEW PRA



# PRODUCT DESCRIPTION:

Worm geared motor fitted for motor coupling version PAM with sleeve

## PRODUCT TYPE: NMRV

## 2D VIEW ACCESSORIES

