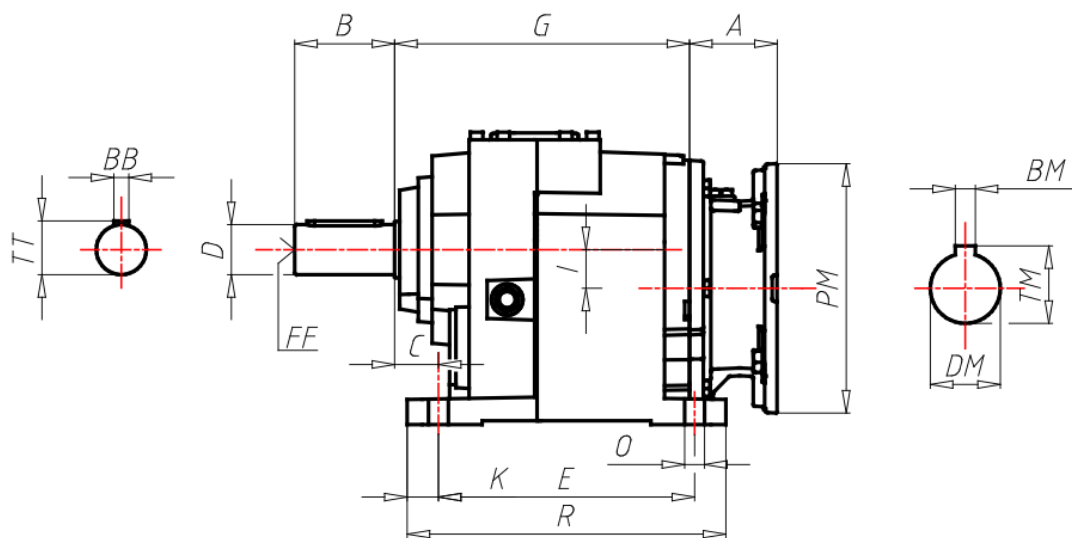


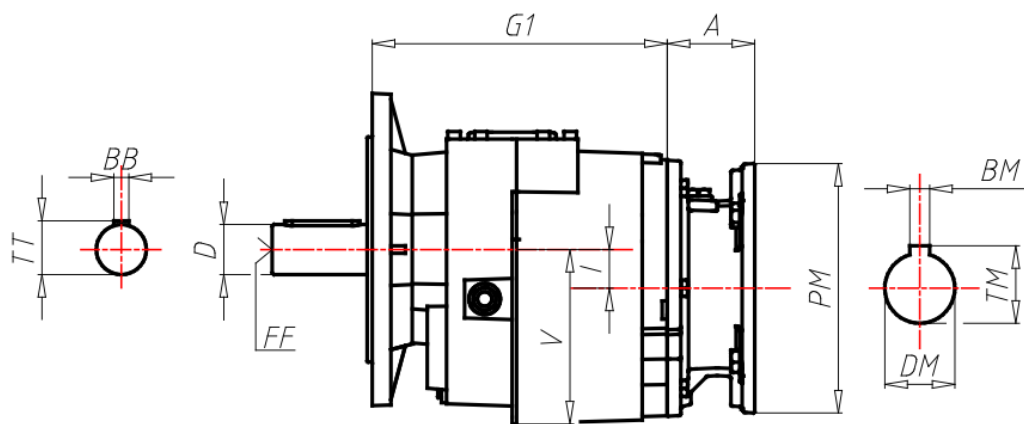
ÖÖË ÒÁÒÔÏ ÒÏÏ ÒÁÏ ÆÏÏ

| | |
|--|--------------------|
| GR Size | 063 |
| VERS Gear box version | T-With Feet |
| RAP Ratio | |
| PAM Input PAM flange | 71 B5 |
| ACU1 Output shaft (d*I) | 40x80 |
| TFU Output flange | - |
| DFU Output flange dimension (d) | - |
| TIP Motor/Inverter Motor | No |
| GRA Motor size | - |
| ALI Supply | - |
| GIRI Speed Range | - |
| POTE Power Group | - |
| CTRL Manual Adjustment Control | - |
| MODU Expansion modules | - |
| RAF Cooling | - |
| FC Motor execution | - |
| TF Break type | - |
| AF Brake power supply | - |
| COP Terminal box cover | - |
| CVE Fan cover | - |
| MOR Terminal box cover position | - |
| A | 49 |
| B | 80 |
| BB | 12 |
| BM | 5 |
| BM1 | - |
| C | 35 |
| D Output shaft (d*I) | 40 |
| DM | 14 |
| DM1 | - |
| E | 205 |

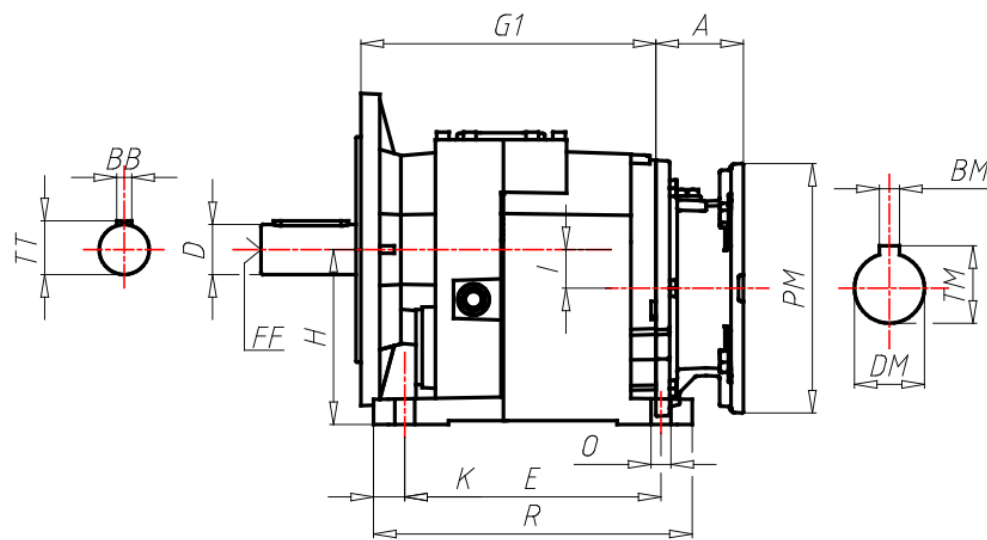
| | |
|------------|------|
| EE | - |
| F | 234 |
| FF | M16 |
| FF1 | - |
| G | 236 |
| G1 | - |
| H | 140 |
| I | 31 |
| K | 25 |
| L | - |
| M | 170 |
| N | 220 |
| O | 16 |
| PM | 160 |
| PM1 | - |
| Q | 100 |
| R | 255 |
| S | 20 |
| TM | 16.3 |
| TM1 | - |
| TT | 43 |
| X | - |
| Y | - |



H/PH...T

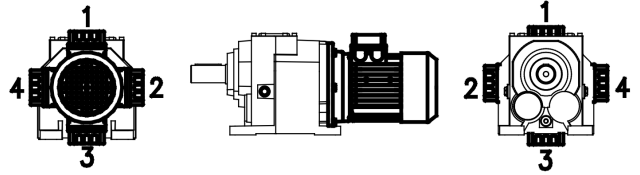
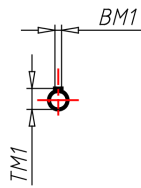
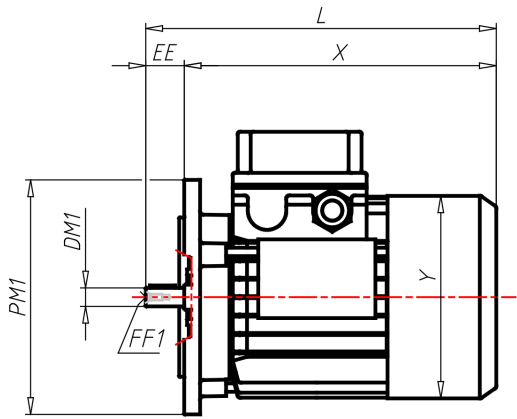


H/PH...F



H/PH...U

ΑΕΣΟΔΟΥΣ



B5