

ÚZORSÝČEK NMRV-075-80B5

**WIDOK 3D**



## PRODUCT DESCRIPTION:

Worm geared motor fitted for motor coupling  
version PAM with sleeve

## PRODUCT TYPE: NMRV

## CONFIGURATION & DIMENSIONAL VALUES

GR Size	075
RAP Ratio	0.5 1 2 3 4 5 6 8 10 15 20 25 30 40 50 60 80 100
PAM Input PAM flange	80 B5
ACU Output hole shaft (d)	28
VB Double input shaft	NO
TFU Output flange gear unit 2	NO
DFU Output flange dimension (d)	-
PFU Output flange position	-
AL Output hole shaft (d)	NO
PAL Output shaft position	-
BR Torque arm	NO
PBR Torque arm position	-
CAP Cover	NO
TIP Motor type	NO
GRA Motor size	-
RAF Cooling	-
FC Motor execution	-
TF Break type	-
AF Brake power supply	-
COP Terminal box cover	-
CVE Fan cover	-
MOR Terminal box cover position	-
A	120
AC	-
B	50
B1	8
BB	8(10)
BM	6
BM1	-
D	28(35)
D1	24

## PRODUCT DESCRIPTION:

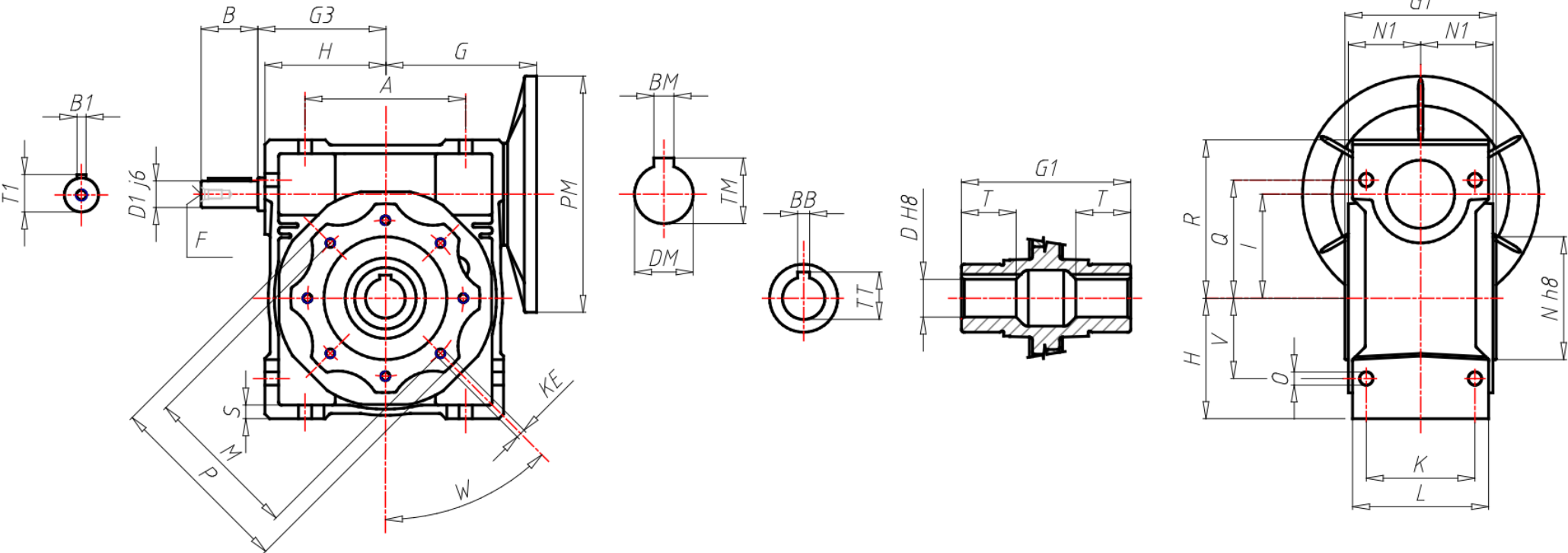
Worm geared motor fitted for motor coupling  
version PAM with sleeve

**PRODUCT TYPE:** NMRV

## CONFIGURATION & DIMENSIONAL VALUES

DM	19
DM1	-
E	-
F	M8
FF	-
G	112.5
G1	120
H	86
I	75
K	90
KE	M8x14(8)
L	112
LB	-
LL	-
M	115
N	95
N1	57
O	11.5
P	140
PM	200
PM1	-
Q	93
R	119
S	10
T	40
T1	27
TM	21.8
TM1	-
TT	31.3(38.3)
V	60
W	45°

# 2D VIEW PRA



# PRODUCT DESCRIPTION:

Worm geared motor fitted for motor coupling version PAM with sleeve

## PRODUCT TYPE: NMRV

## 2D VIEW ACCESSORIES

