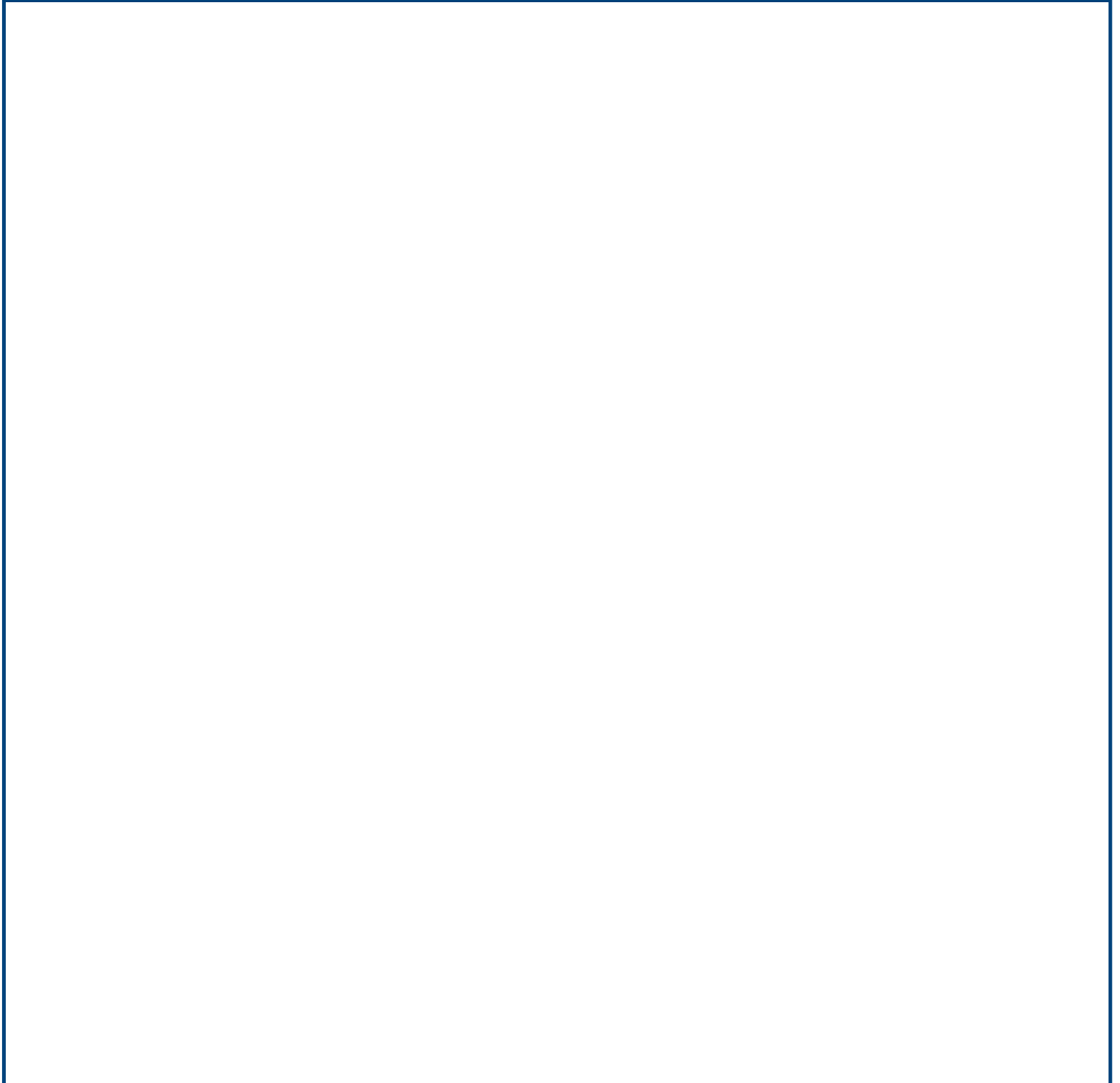


ÚÜZÒSýÖÖPÖÁNRV-130

WIDOK 3D



PRODUCT DRAWING RELEASE

Last Modification (geometry): 28/08/2009 00:00

Datasheet creation date: 21/06/2015 10:57

PRODUCT DESCRIPTION:

Worm reduction unit with input shaft

PRODUCT TYPE: NRV

CONFIGURATION & DIMENSIONAL VALUES

GR Size	130
RAP Ratio	7.5
ENTRNRV Input shaft (d*I)	30x80
ACU Output hole shaft (d)	45
VB Double input shaft	NO
TFU Output flange dimension (d)	NO
DFU Output flange dimension (d)	-
PFU Output flange position	-
AL Output hole shaft (d)	NO
PAL Output shaft position gear unit 2	-
BR Torque arm	NO
PBR Torque arm position	-
CAP Cover	NO
A	200
B	80
BB	14
B1	8
D	45
D1	30
F	M10
G1	170
G2	162
G3	155
H	147.5
I	130
K	120
KE	M12*21(8)
L	155
M	215
N	180
N1	81

PRODUCT DRAWING RELEASE

Last Modification (geometry): 28/08/2009 00:00

Datasheet creation date: 21/06/2015 10:57

PRODUCT DESCRIPTION:

Worm reduction unit with input shaft

PRODUCT TYPE: NRV

CONFIGURATION & DIMENSIONAL VALUES

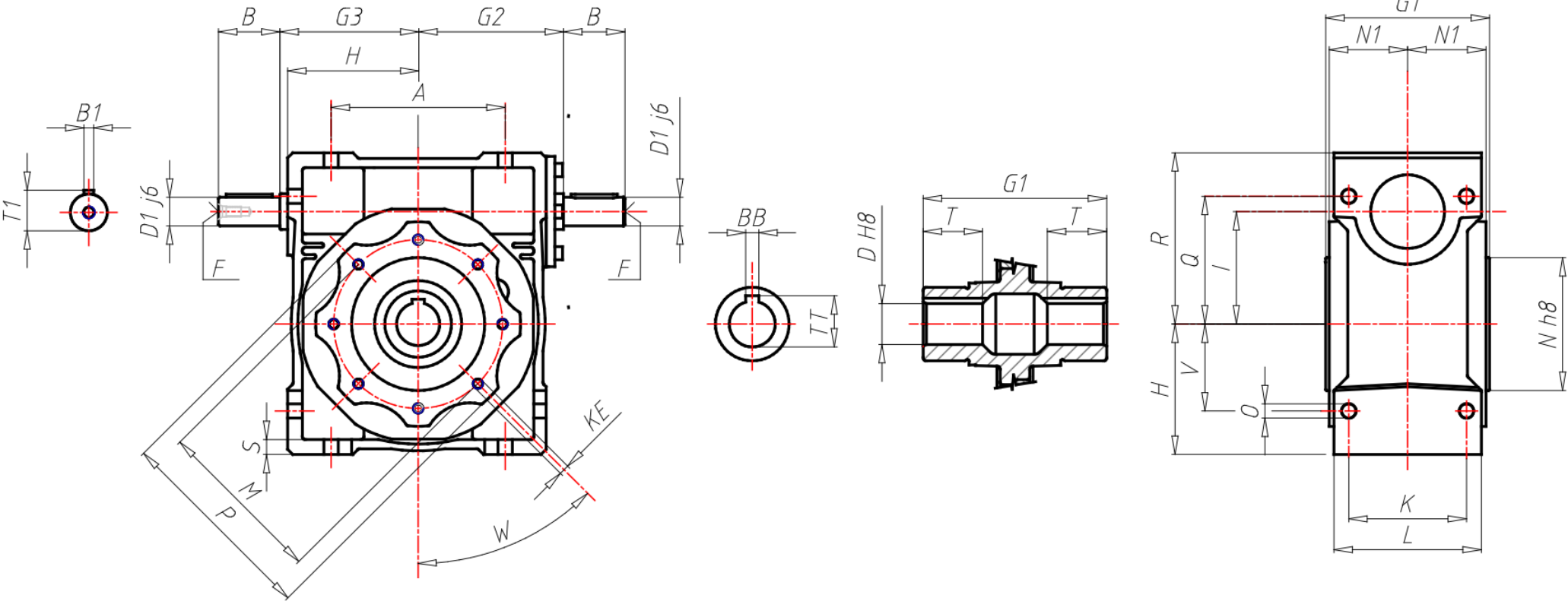
O	16
P	250
Q	140
R	187.5
S	15.5
T	60
TT	48.8
T1	33
V	100
W	45°

PRODUCT DRAWING RELEASE

Last Modification (geometry): 28/08/2009 00:00

Datasheet creation date: 21/06/2015 10:57

2D VIEW PRA

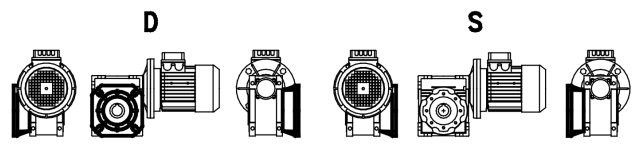
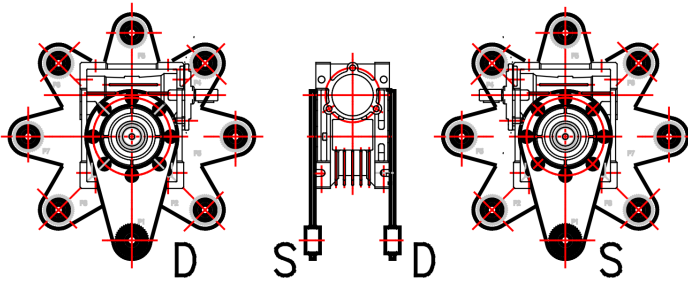


PRODUCT DESCRIPTION:

Worm reduction unit with input shaft

PRODUCT TYPE: NRV

2D VIEW ACCESSORIES



PRODUCT DRAWING RELEASE

Last Modification (geometry): 28/08/2009 00:00

Datasheet creation date: 21/06/2015 10:57