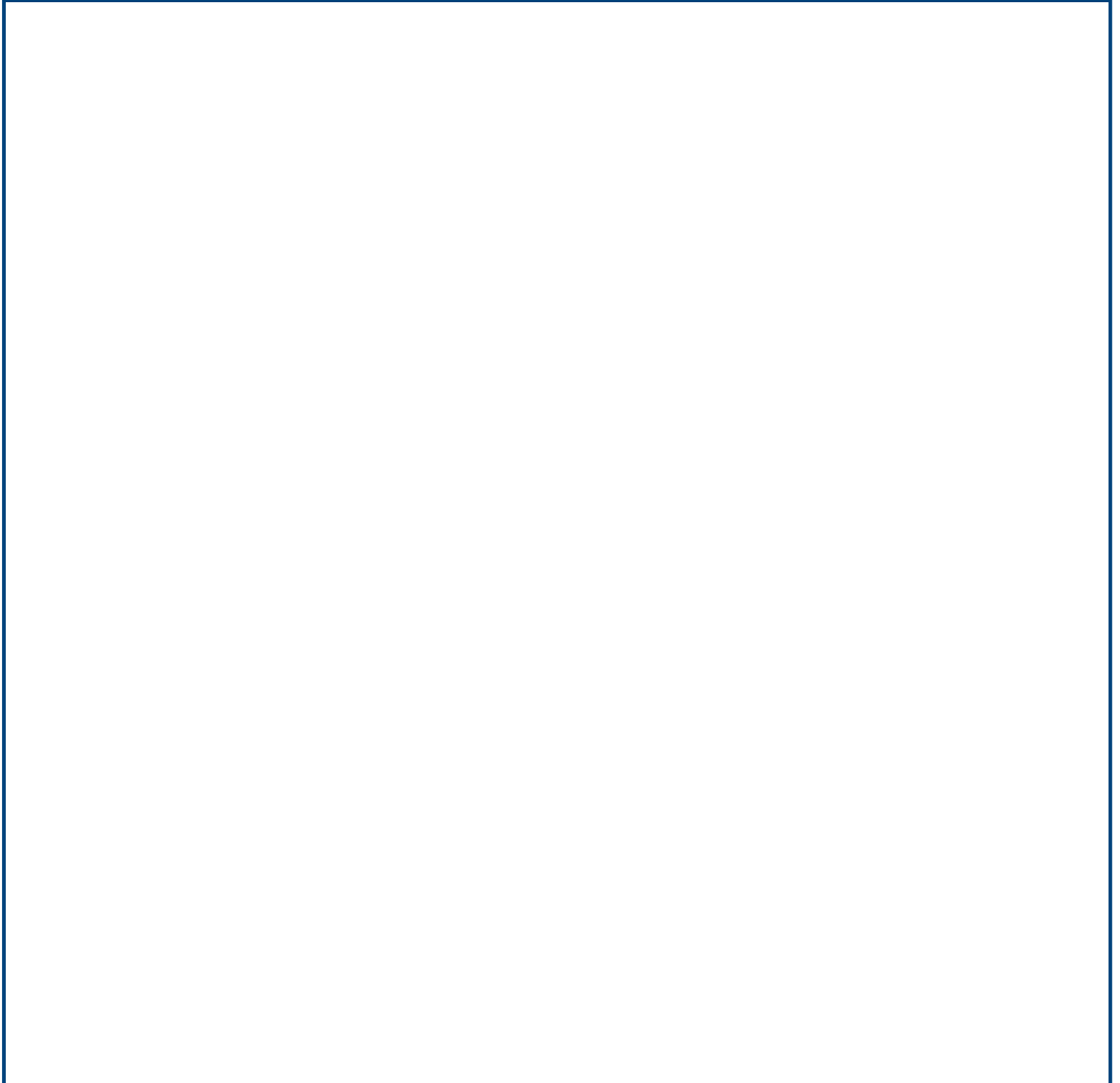


ÚZORSY ČERTEŽNÝCH NRV-110

## WIDOK 3D



## PRODUCT DRAWING RELEASE

Last Modification (geometry): 28/08/2009 00:00

Datasheet creation date: 21/06/2015 10:55

## PRODUCT DESCRIPTION:

Worm reduction unit with input shaft

**PRODUCT TYPE:** NRV

## CONFIGURATION & DIMENSIONAL VALUES

GR Size	110
RAP Ratio	7.5
ENTRNRV Input shaft (d*I)	28x60
ACU Output hole shaft (d)	42
VB Double input shaft	NO
TFU Output flange dimension (d)	NO
DFU Output flange dimension (d)	-
PFU Output flange position	-
AL Output hole shaft (d)	NO
PAL Output shaft position gear unit 2	-
BR Torque arm	NO
PBR Torque arm position	-
CAP Cover	NO
A	170
B	60
BB	12
B1	8
D	42
D1	28
F	M10
G1	155
G2	142
G3	135
H	127.5
I	110
K	115
KE	M10*18(8)
L	144
M	165
N	130
N1	74

## PRODUCT DRAWING RELEASE

Last Modification (geometry): 28/08/2009 00:00

Datasheet creation date: 21/06/2015 10:55

## PRODUCT DESCRIPTION:

Worm reduction unit with input shaft

**PRODUCT TYPE:** NRV

## CONFIGURATION & DIMENSIONAL VALUES

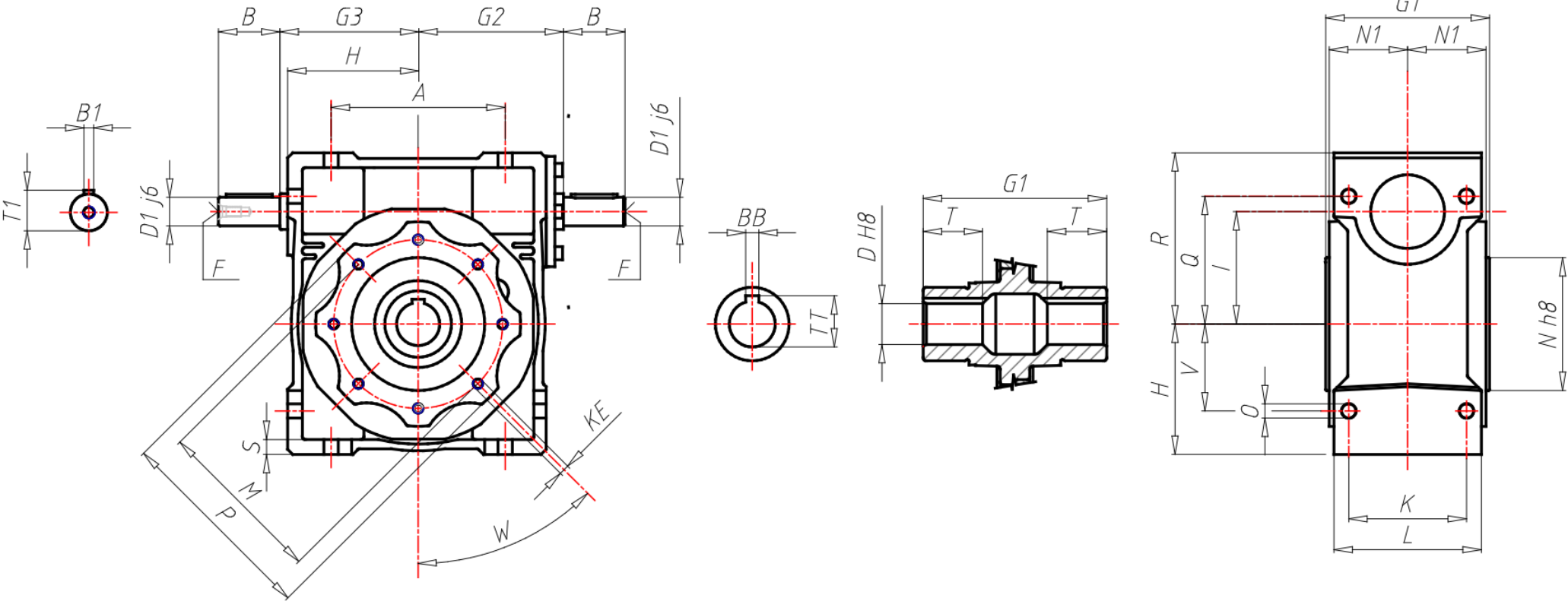
<b>O</b>	14
<b>P</b>	200
<b>Q</b>	125
<b>R</b>	167.5
<b>S</b>	14.5
<b>T</b>	50
<b>TT</b>	45.3
<b>T1</b>	31
<b>V</b>	85
<b>W</b>	45°

## PRODUCT DRAWING RELEASE

Last Modification (geometry): 28/08/2009 00:00

Datasheet creation date: 21/06/2015 10:55

# 2D VIEW PRA

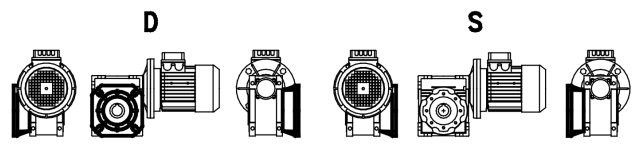
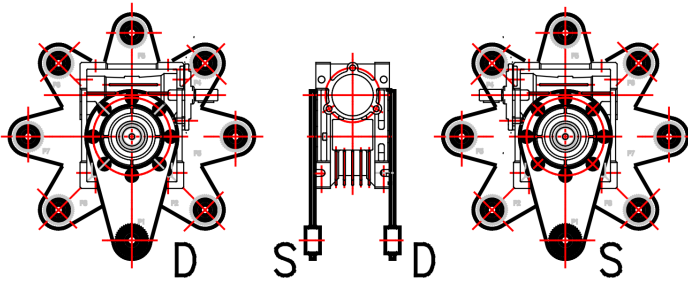


# PRODUCT DESCRIPTION:

Worm reduction unit with input shaft

## PRODUCT TYPE: NRV

### 2D VIEW ACCESSORIES



### PRODUCT DRAWING RELEASE

Last Modification (geometry): 28/08/2009 00:00

Datasheet creation date: 21/06/2015 10:55