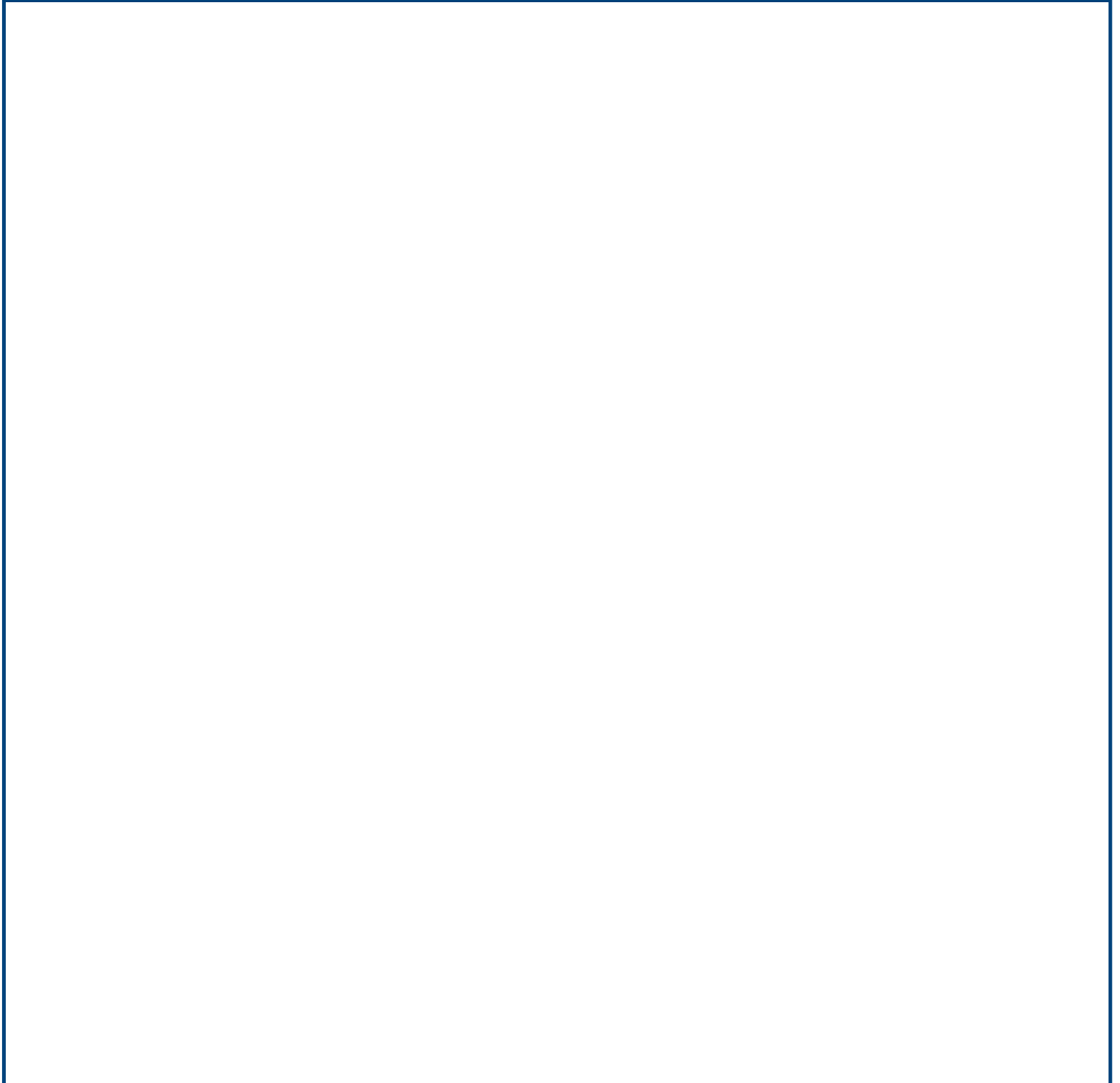


ÚZORSY ČERTEŽNÝCH DOKUMENTŮ NR. V-090

WIDOK 3D



PRODUCT DRAWING RELEASE

Last Modification (geometry): 28/08/2009 00:00

Datasheet creation date: 21/06/2015 10:53

PRODUCT DESCRIPTION:

Worm reduction unit with input shaft

PRODUCT TYPE: NRV

CONFIGURATION & DIMENSIONAL VALUES

| | |
|---------------------------------------|-----------|
| GR Size | 090 |
| RAP Ratio | 7.5 |
| ENTRNRV Input shaft (d*l) | 24x50 |
| ACU Output hole shaft (d) | 35 |
| VB Double input shaft | NO |
| TFU Output flange dimension (d) | NO |
| DFU Output flange dimension (d) | - |
| PFU Output flange position | - |
| AL Output hole shaft (d) | NO |
| PAL Output shaft position gear unit 2 | - |
| BR Torque arm | NO |
| PBR Torque arm position | - |
| CAP Cover | NO |
| A | 140 |
| B | 50 |
| BB | 10 |
| B1 | 8 |
| D | 35(38) |
| D1 | 24 |
| F | M8 |
| G1 | 140 |
| G2 | 125 |
| G3 | 108 |
| H | 103 |
| I | 90 |
| K | 100 |
| KE | M10*18(8) |
| L | 130 |
| M | 130 |
| N | 110 |
| N1 | 67 |

PRODUCT DRAWING RELEASE

Last Modification (geometry): 28/08/2009 00:00

Datasheet creation date: 21/06/2015 10:53

PRODUCT DESCRIPTION:

Worm reduction unit with input shaft

PRODUCT TYPE: NRV

CONFIGURATION & DIMENSIONAL VALUES

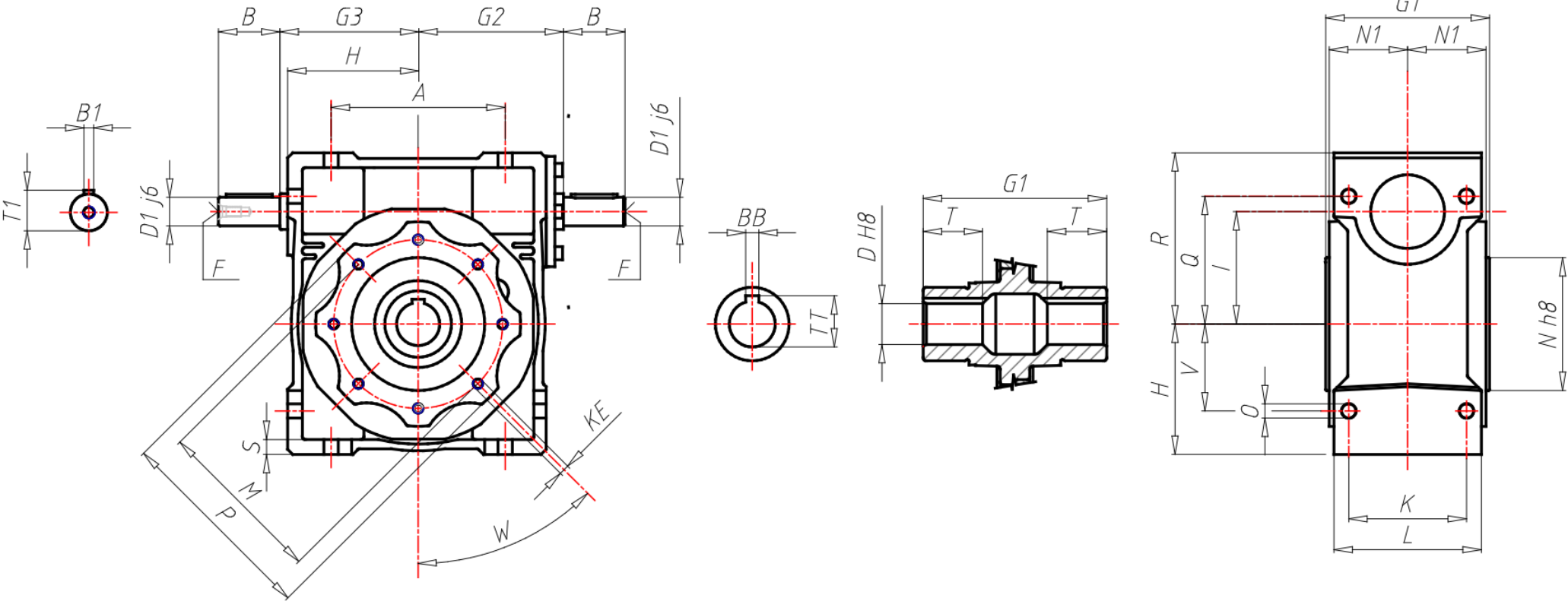
| | |
|-----------|------------|
| O | 13 |
| P | 160 |
| Q | 102 |
| R | 135 |
| S | 11 |
| T | 45 |
| TT | 38.3(41.3) |
| T1 | 27 |
| V | 70 |
| W | 45° |

PRODUCT DRAWING RELEASE

Last Modification (geometry): 28/08/2009 00:00

Datasheet creation date: 21/06/2015 10:53

2D VIEW PRA

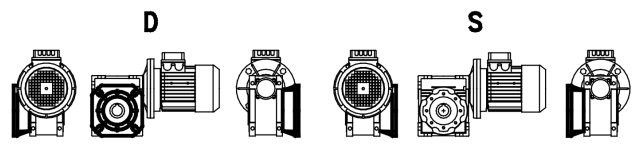
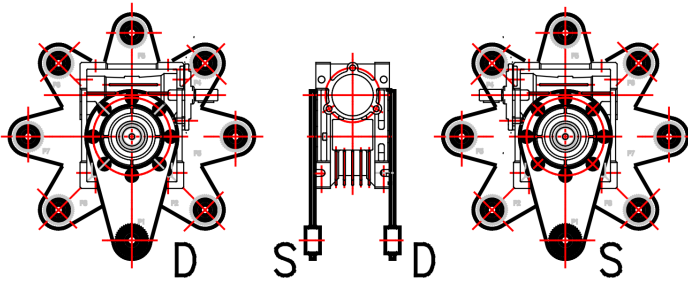


PRODUCT DESCRIPTION:

Worm reduction unit with input shaft

PRODUCT TYPE: NRV

2D VIEW ACCESSORIES



PRODUCT DRAWING RELEASE

Last Modification (geometry): 28/08/2009 00:00

Datasheet creation date: 21/06/2015 10:53