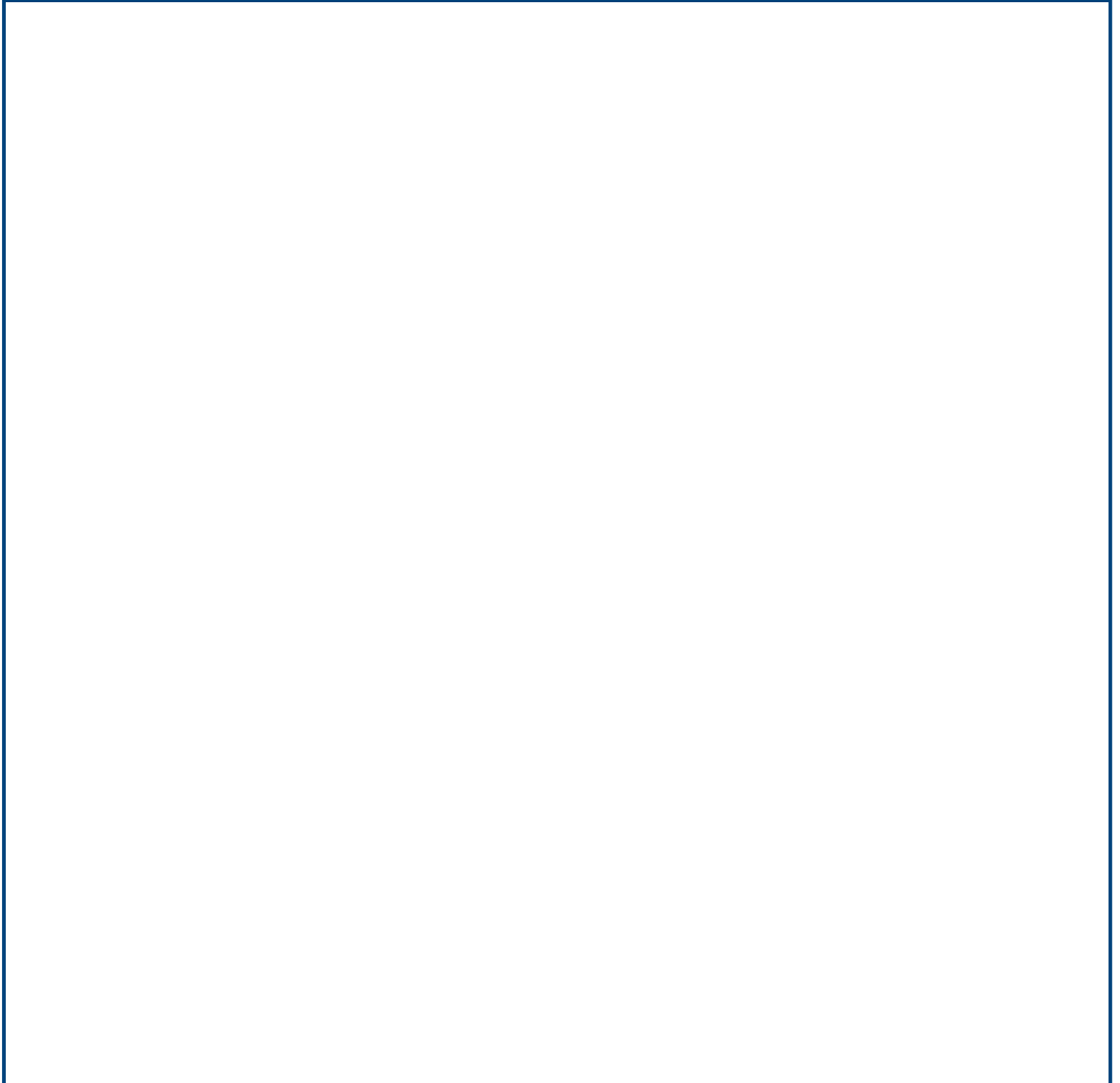


ÚZORSY ČERTEJŇ NR. V-075

WIDOK 3D



PRODUCT DRAWING RELEASE

Last Modification (geometry): 28/08/2009 00:00

Datasheet creation date: 17/06/2015 13:59

PRODUCT DESCRIPTION:

Worm reduction unit with input shaft

PRODUCT TYPE: NRV

CONFIGURATION & DIMENSIONAL VALUES

GR Size	075
RAP Ratio	7.5
ENTRNRV Input shaft (d*I)	24x50
ACU Output hole shaft (d)	28
VB Double input shaft	NO
TFU Output flange dimension (d)	NO
DFU Output flange dimension (d)	-
PFU Output flange position	-
AL Output hole shaft (d)	NO
PAL Output shaft position gear unit 2	-
BR Torque arm	NO
PBR Torque arm position	-
CAP Cover	NO
A	120
B	50
BB	8(10)
B1	8
D	28(35)
D1	24
F	M8
G1	120
G2	105
G3	90
H	86
I	75
K	90
KE	M8*14(8)
L	112
M	115
N	95
N1	57

PRODUCT DRAWING RELEASE

Last Modification (geometry): 28/08/2009 00:00

Datasheet creation date: 17/06/2015 13:59

PRODUCT DESCRIPTION:

Worm reduction unit with input shaft

PRODUCT TYPE: NRV

CONFIGURATION & DIMENSIONAL VALUES

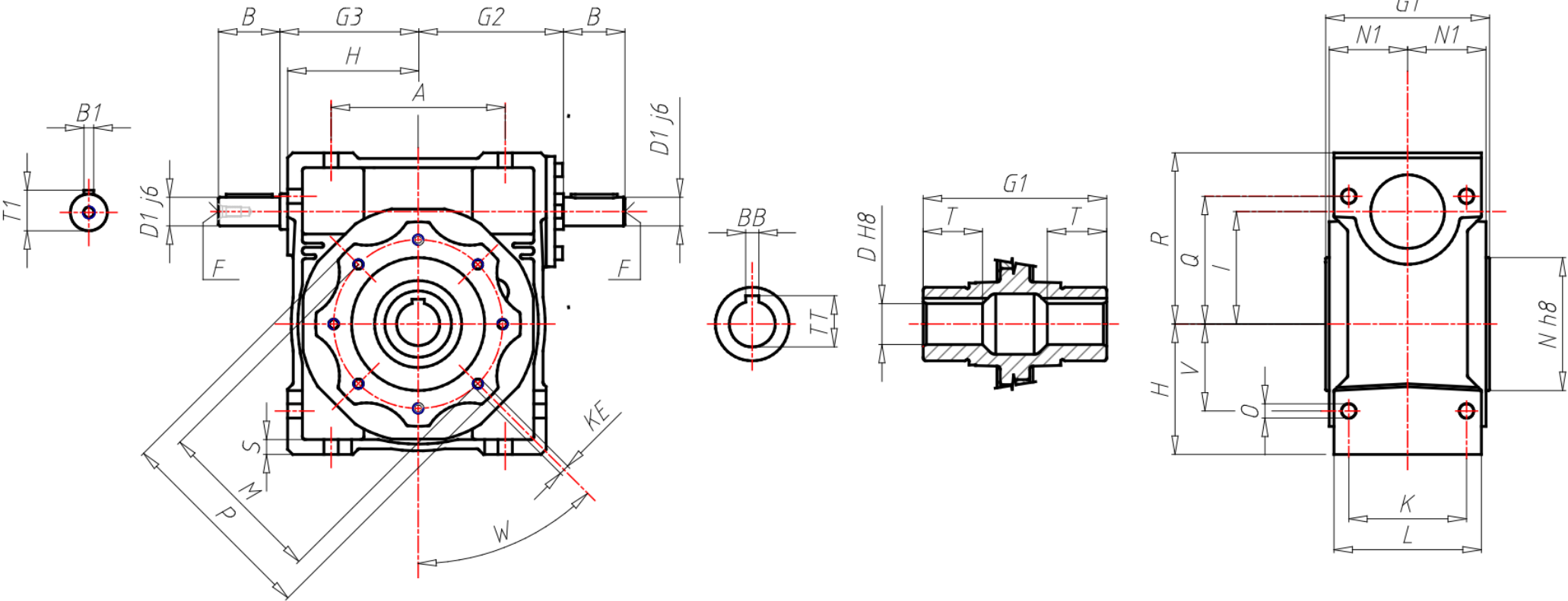
O	11.5
P	140
Q	93
R	119
S	10
T	40
TT	31.3(38.3)
T1	27
V	60
W	45°

PRODUCT DRAWING RELEASE

Last Modification (geometry): 28/08/2009 00:00

Datasheet creation date: 17/06/2015 13:59

2D VIEW PRA

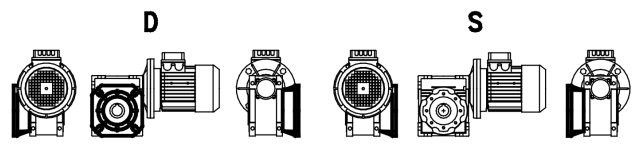
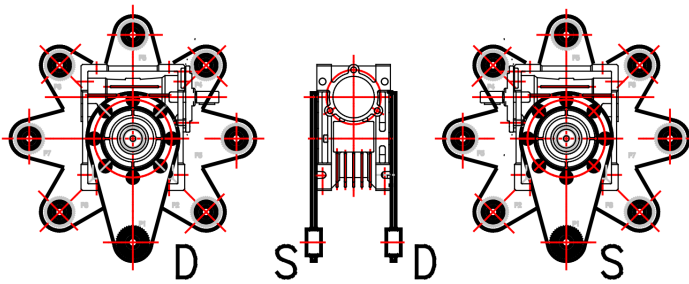


PRODUCT DESCRIPTION:

Worm reduction unit with input shaft

PRODUCT TYPE: NRV

2D VIEW ACCESSORIES



PRODUCT DRAWING RELEASE

Last Modification (geometry): 28/08/2009 00:00

Datasheet creation date: 17/06/2015 13:59