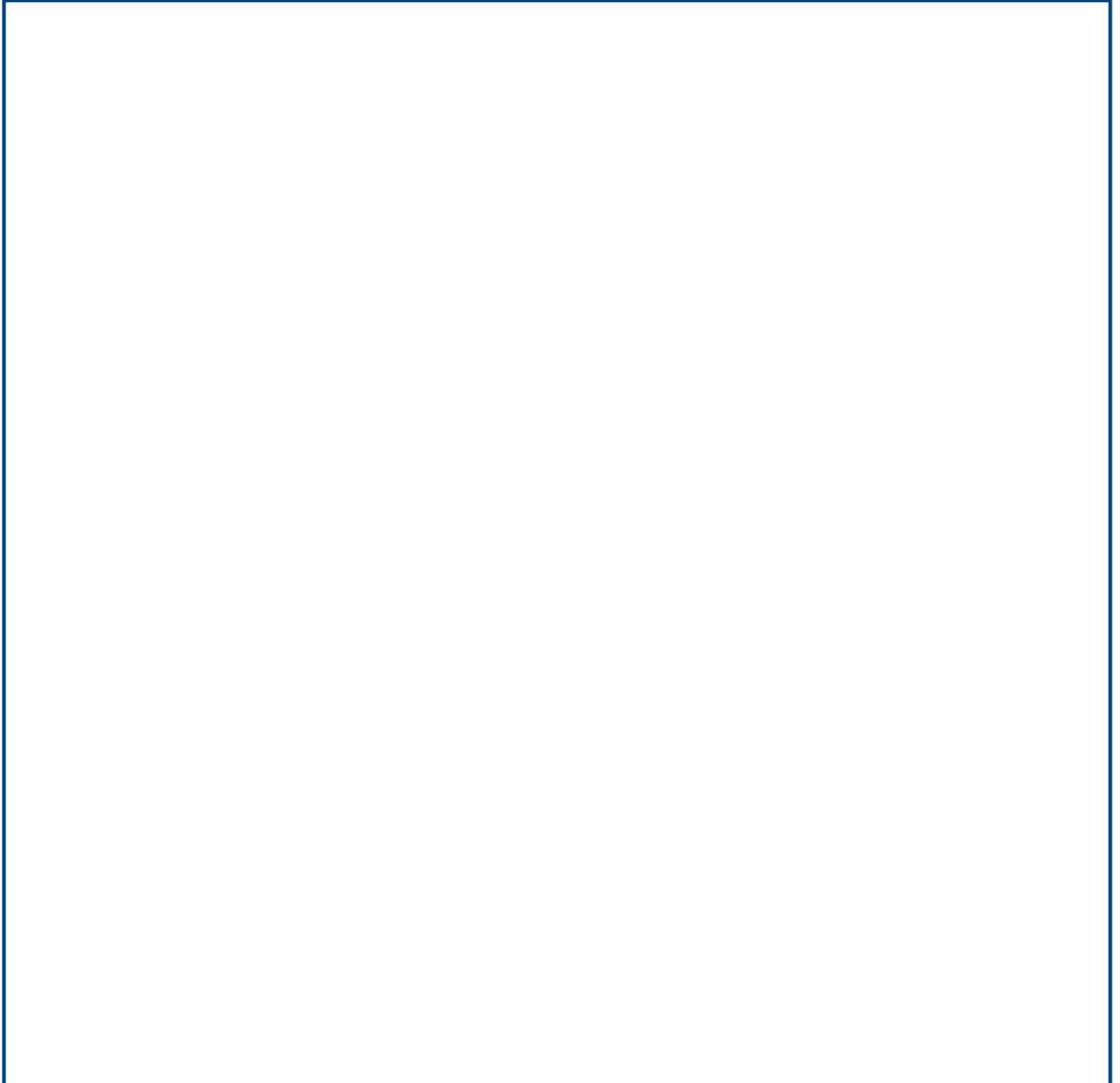


ÚZORSY ČERNÉ NR-V-040

WIDOK 3D



PRODUCT DRAWING RELEASE

Last Modification (geometry): 28/08/2009 00:00

Datasheet creation date: 21/06/2015 10:37

PRODUCT DESCRIPTION:

Worm reduction unit with input shaft

PRODUCT TYPE: NRV

CONFIGURATION & DIMENSIONAL VALUES

GR Size	040
RAP Ratio	5
ENTRNRV Input shaft (d*I)	11x23
ACU Output hole shaft (d)	18
VB Double input shaft	NO
TFU Output flange dimension (d)	NO
DFU Output flange dimension (d)	-
PFU Output flange position	-
AL Output hole shaft (d)	NO
PAL Output shaft position gear unit 2	-
BR Torque arm	NO
PBR Torque arm position	-
CAP Cover	NO
A	70
B	23
BB	6
B1	4
D	18(19)
D1	11
F	-
G1	78
G2	60
G3	53
H	50
I	40
K	60
KE	M6*10(4)
L	71
M	75
N	60
N1	36.5

PRODUCT DRAWING RELEASE

Last Modification (geometry): 28/08/2009 00:00

Datasheet creation date: 21/06/2015 10:37

PRODUCT DESCRIPTION:

Worm reduction unit with input shaft

PRODUCT TYPE: NRV

CONFIGURATION & DIMENSIONAL VALUES

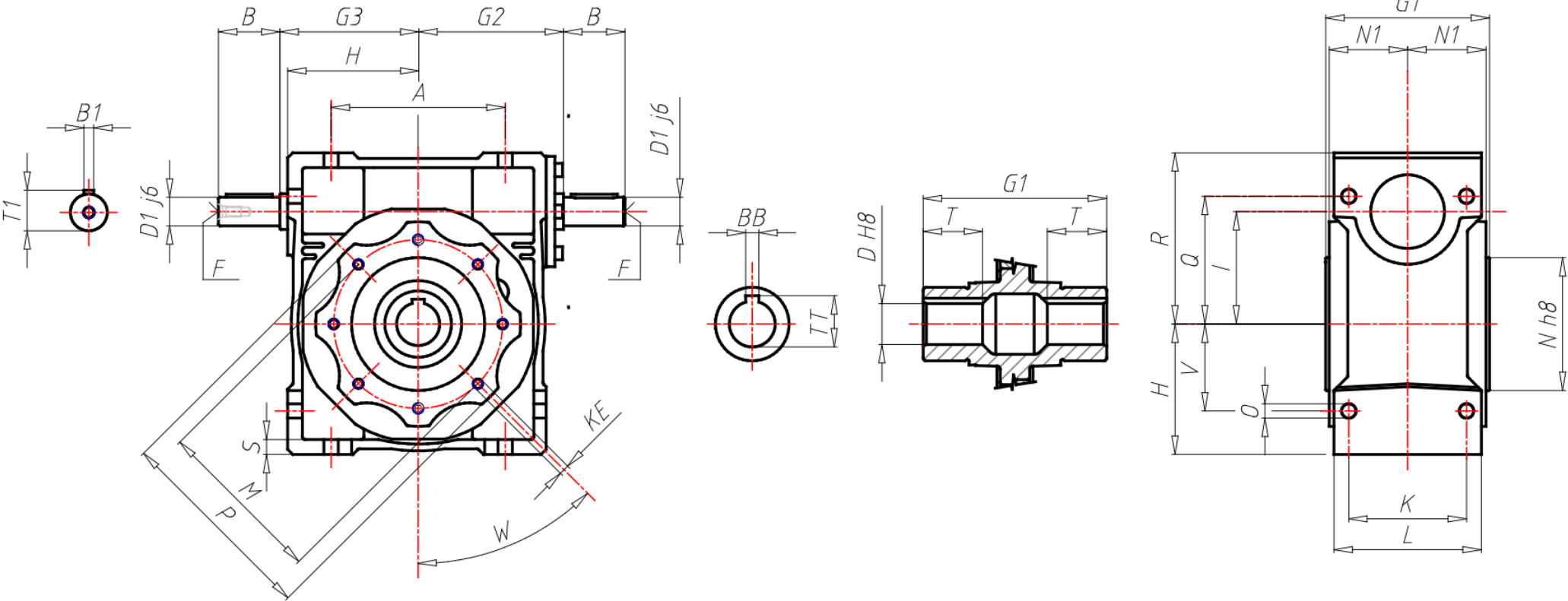
O	6.5
P	87
Q	55
R	71.5
S	6.5
T	26
TT	20.8(21.8)
T1	12.5
V	35
W	45°

PRODUCT DRAWING RELEASE

Last Modification (geometry): 28/08/2009 00:00

Datasheet creation date: 21/06/2015 10:37

2D VIEW PRA

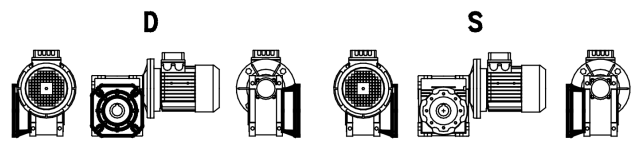
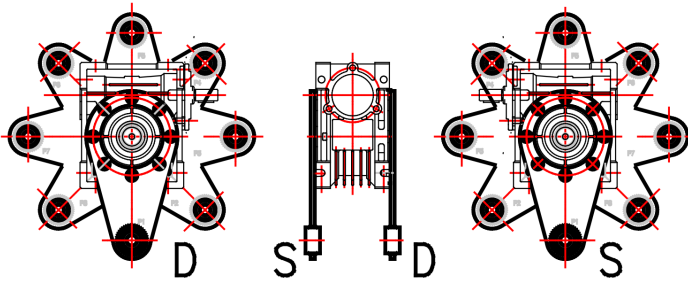


PRODUCT DESCRIPTION:

Worm reduction unit with input shaft

PRODUCT TYPE: NRV

2D VIEW ACCESSORIES



PRODUCT DRAWING RELEASE

Last Modification (geometry): 28/08/2009 00:00

Datasheet creation date: 21/06/2015 10:37